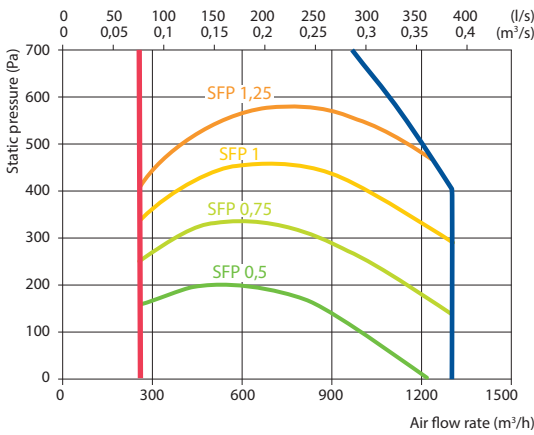


Verso CF 1300 F C5

Nominal air flow according to ErP 2018, m ³ /h	1300
Nominal air flow according to ErP 2018, l/s	361
Electric air heater capacity, kW / Δt, °C	4,5/10,1
Supply voltage HE, V	3~400
Supply voltage HW, V	1~230
Maximal operating current HE, A	11,1
Maximal operating current HW, A	4,9
Power supply cable E, mm ²	5×1,5
Power supply cable W, mm ²	3×1,5
Electric power input of the fan drive at maximum flow rate, W	256
Noise power level, L _{WA} , dB(A)	55
Noise pressure level, L _{pA} , dB(A), (3 m)	44
Filters dimensions B×H×L, mm	550×420×46
Unit dimensions B×H×L, mm	1100×527×1650
Panel thickness, mm	50
Maintenance space, mm	400
Unit weight, kg	175



Performance



Temperature efficiency

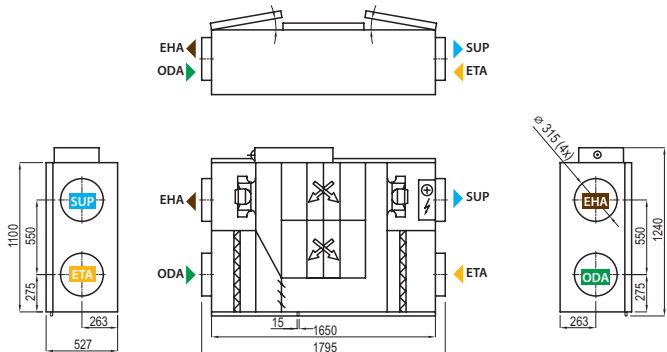
	Winter					Summer		
Outside temperature, °C	-23	-15	-10	-5	0	25	30	35
After heat exchanger, °C	14,5	15,4	15,9	16,8	17,7	22,6	23,5	24,5
Indoor +22 °C, 20 % RH								

Hot water duct air heater *

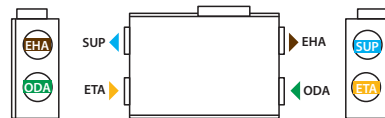
	Winter		
Water temperature in/out, °C	80/60	70/50	60/40
Capacity, kW	3,3	3,3	3,3
Flow rate, dm ³ /h	145	145	145
Pressure drop, kPa	3,9	3,9	3,9
Temperature in/out, °C	14,5 / 22,0		
Maximal capacity, kW	12,4	10	7,6
Connection, "	½		

* Option

Shown as right (R1)
View from inspection side



Shown as left (L1)



▶ ODA – outdoor intake ▶ SUP – supply air ▶ ETA – extract indoor ▶ EHA – exhaust air

Accessories

Closing damper	AGUJ-M-315+LF24/LM24
Silencer	ODA/EHA AGS-315-100-900-M
	SUP/ETA AGS-315-100-1200-M
Water heater	DH-315
PPU	PPU-HW-3R-15-1-W2
Water cooler	DCW-1,4-9
Water heater-cooler	DHCW-315
2-way valve	VVP47.20-4,0+SSF161.05HF
DX cooler	DCF-1,4-10
Cooling unit	MOU-36HFN8a+KA8140

Mounting positions

